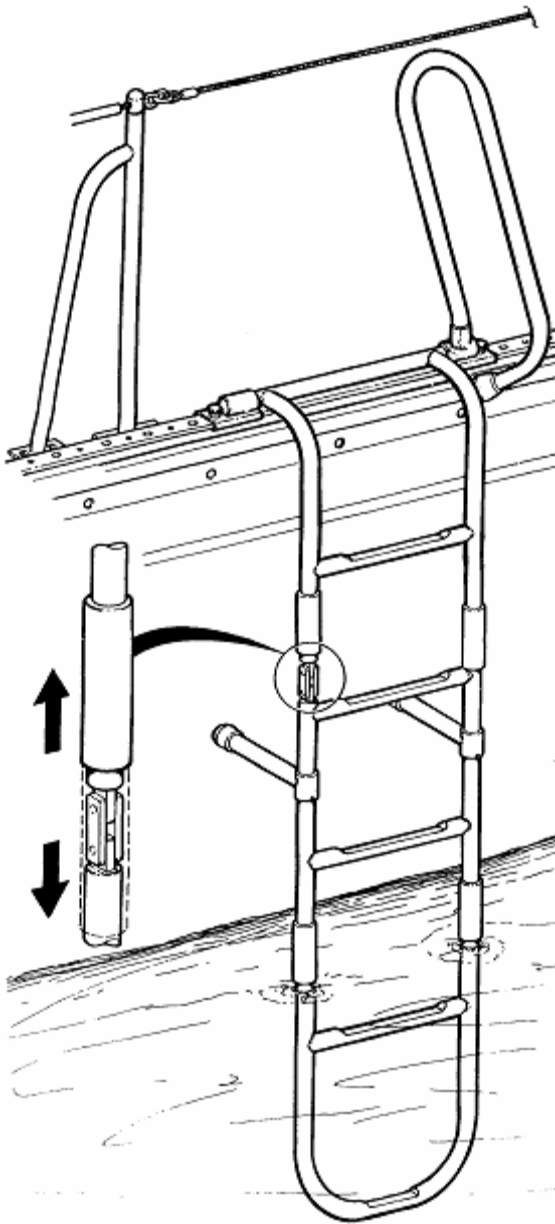


Thought Experiment

"The Laboratory is in your Head"



Rising Tide



The metal ladder attached to a boat hangs over the side of the boat and reaches 14 inches below the water. Its rungs are 8 inches apart.

How many rungs will be under the water when the tide rises 4 feet? Explain.